

ASME Air Receiver Manifold

Features:

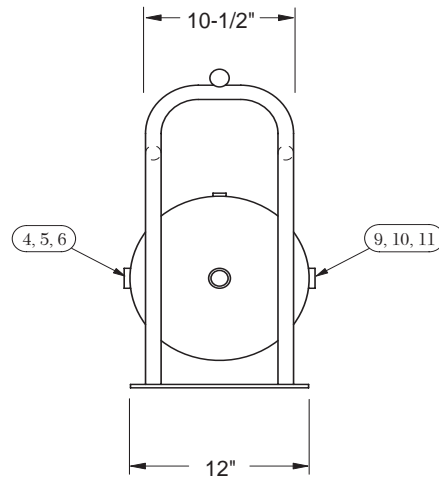
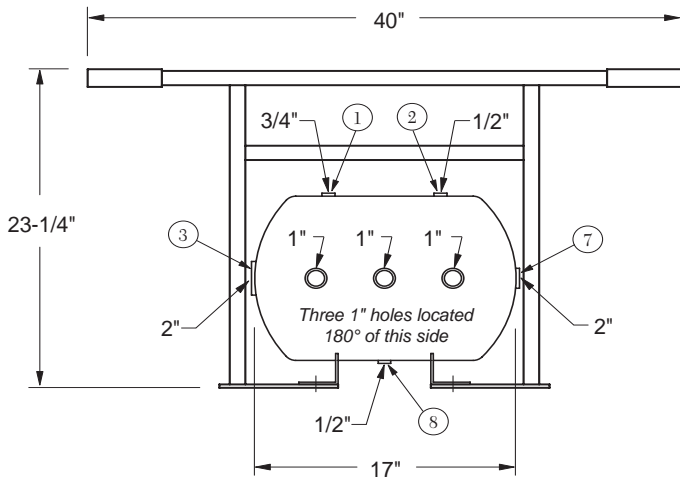
- built to ASME Code, National Board registered
- conforms to OSHA standards 1910.169 and 1926.306
- 7 gallon capacity
- painted safety orange
- all openings are female NPT thread
- working pressure: **200 PSI**



1217AR-4AK



1217AR-4FR



Dixon™ 1217AR-4AK air receiver manifold assembly with Air King™ outlet ports includes the following components:

Part # / Locations	Qty	Description	Price/E	Price
1217AR-4	1	ASME compressed air receiver	---	\$1230.00
1217FRAME	1	protective frame	---	400.00
Location 1	1	HB2F6M 3/4" male x 1/4" female hex bushing	\$7.85	7.85
	1	GL345 0-300 PSI gauge	18.95	18.95
Location 2	1	HB2F4M 1/2" male x 1/4" female hex bushing	4.27	4.27
	1	SV200 safety pop-off valve	35.75	35.75
Location 3	1	GM28 2" male spud	54.00	54.00
	1	B27SC wing nut cap	82.25	82.25
Locations 4, 5, 6, 9, 10, 11	6	HB1075G 1" male x 3/4" female bushings	6.75	40.50
	6	BCN75 3/4" brass hex nipples	7.50	45.00
	6	BBLV75 ball valves	70.40	422.40
	6	SCVS6 safety shut-off valves	99.76	598.56
	6	AM7 Air King™ universal couplings	8.60	51.60
	4	SE45100 45° street elbow (1 each in locations 4, 6, 9 and 11 only)	9.55	38.20
Location 7	1	HB2075 2" male x 3/4" female bushing	8.75	8.75
	1	BCN75 3/4" brass hex nipples	7.50	7.50
	1	BBLV75 ball valve	70.40	70.40
	1	SCVS6 safety shut-off valve	99.76	99.76
	1	AM7 Air King™ universal coupling	8.60	8.60
Location 8	1	HB2F4M 1/2" male x 1/4" female hex bushing	4.27	4.27
	1	D04 1/4" drain cock	5.05	5.05
	---	Labor cost for assembly of complete unit	---	320.00
1217AR-4AK	1	7 gallon ASME compressed air receiver manifold complete assembly with Air King™	---	3535.25
Tank and Frame only				
1217AR-4FR	1	7 gallon ASME compressed air receiver with frame only	---	\$1610.00