

TVSEC-Series Air & Vacuum Relief Tank Vent Valves

Features

- Triple action:
 - valve relieves pressure as the fluid level rises while filling a tank
 - valve relieves vacuum as the fluid level drops while emptying a tank
 - seals under equal pressure
- Stainless steel screen surrounds the entire vacuum and pressure flow area
- 1/4" FNPT connection for gas inlet; plug also supplied

Materials

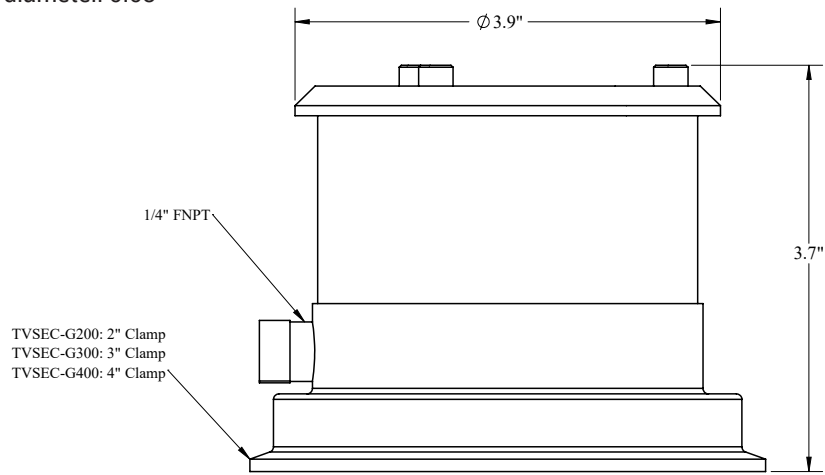
- Product contact metal components: 304 stainless steel
- Surface finish: Ra ≤ 32
- Non-product contact metal components: 304 stainless steel
- Product contact seals: EPDM
- Gas inlet purge plug: nylon

Specifications


- Vacuum break: 2" water column, **0.1 PSI**
- Pressure relief: 22" water column, **0.8 PSI**
- Maximum operating temperature: **120°F (49°C)**; minimum operating temperature **40°F (4.4°C)**
- Tank fill and evacuation rate: **250 GPM max**

Screen Technical Data

- Surface area of the open holes: 3.2in² +/- 0.2in²
- Surface area of the hose holes and screen: 20in²
- Hole diameter: 0.03"



Tube O.D.	304 Stainless Steel Part #
2"	TVSEC-G200
3"	TVSEC-G300
4"	TVSEC-G400

NOTE: This valve has been designed as a secondary pressure and vacuum relief vent. Always open upper manhole whenever product is being transferred in excess of 250 gallons per minute. Dixon Sanitary assumes no liability for tank damage or product loss. 

Repair Kits for TVSEC-Series Air & Tank Relief Tank Vent Valves

Size	Part Kit Part #	O-Ring Kit Part #
All	TVSEC-RK	TVSEC-OKIT-E

NOTE: Part kit contains: (1) vacuum bolt, (1) EPDM vacuum bolt O-ring, (1) EPDM vacuum disc O-ring, (1) EPDM pressure plate O-ring, (1) vacuum spring, (1) SS flat washer, (1) SS nut, (3) SS pressure plate springs, (3) SS spacers, (3) SS cover screws

NOTE: O-ring kit contains: (1) EPDM vacuum bolt O-ring, (1) EPDM vacuum disc O-ring, (1) EPDM pressure plate O-ring

NOTE: All dimensions are approximate. Engineering dimensions are available upon request.

NOTE: Specifications are subject to change without notice.