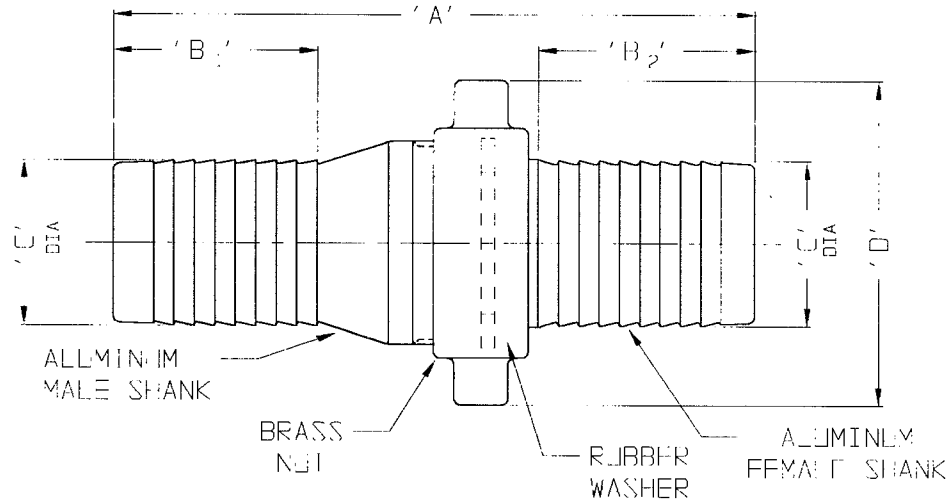
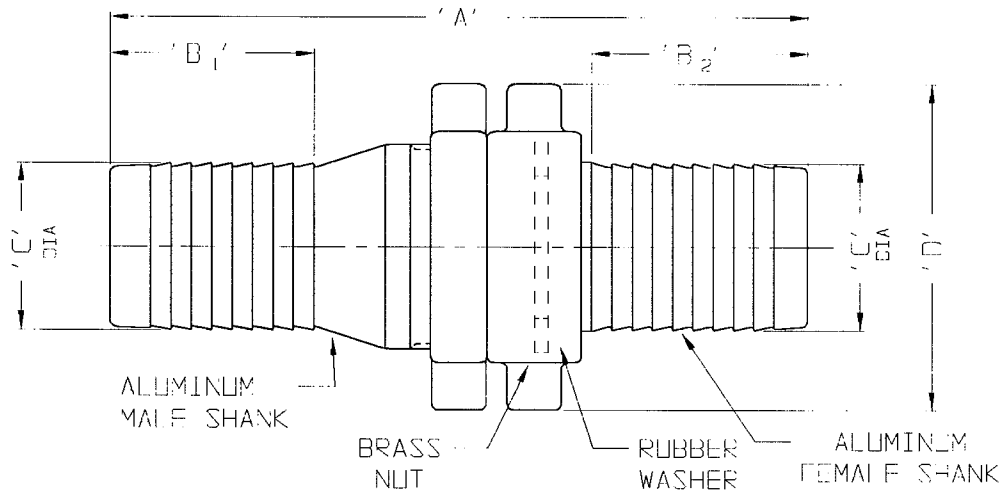


CABXXX

CUSTOMER DWG



SINGLE PIN LUG



*** DOUBLE PIN LUG**

AGREEMENT TO MAINTAIN CONFIDENTIALITY

This drawing is owned by Dixon Valve & Coupling Co. and shall be returned upon demand. It is loaned on condition that it shall not be copied or reproduced or supplied to others without the owners consent. In accepting it subject to this condition the recipient further agrees that this drawing or any design detail or concept disclosed herein shall not be used in any way detrimental to or in competition with the Owner. If the recipient does not agree to the terms of this agreement, they shall return this drawing immediately.

*	4	CAB400	10 5/8	4	4	4 1/32	5 1/4
*	3	CAB300	8 7/16	2 13/16	2 13/16	3 1/32	4 13/16
	2 1/2	CAB250	6 5/8	2 1/4	2 1/4	2 17/32	4 1/8
	2	CAB200	5 15/32	1 13/16	1 13/16	2 1/32	3 9/16
	1 1/2	CAB150	4 11/16	1 5/8	1 1 5/8	1 17/32	3
	1 1/4	CAB125					
	SIZE	PART NO	'A'	'B1'	'B2'	'C'	'D'

CUSTOMER DWG

DIXON VALVE & COUPLING CO.
U. S. A.

TITLE

COMPLETE COUPLING 'KING'
SHORT SHANK COUPLINGS (NPSM THD)

DRAWN BY: *APJ*
4-20-98

CHECKED BY: *Mike*
4/20/98

APPROVAL: *JOB*
4/20/98

MAT'L

SEE NOTES

CABXXX



The Right Connection™