

# Installation & Operating Instructions

For

**Dixon Bayco**

## **5000S and 5000AIS Air Interlock Electrical Switch**

### **For Sales and Service Contact**

**USA:**

Dixon Bayco USA  
Chestertown, Maryland  
Phone: 410-778-2000  
Fax: 410-778-4702  
Toll Free: 800-355-1991  
E-mail: [dixonbayco@dixonvalve.com](mailto:dixonbayco@dixonvalve.com)

**Canada:**

Dixon Group Canada Limited  
Innisfil (Barrie), Ontario  
Phone: 705-436-1125  
Fax: 705-436-6251  
Toll Free: 877-963-4966  
E-mail: [isales@dixongroupcanada.com](mailto:isales@dixongroupcanada.com)

**Europe:**

Dixon Group Europe Ltd  
Preston, England  
Phone: +44 (0)1772 323529  
Fax: +44 (0)1772 314664  
E-mail: [enquiries@dixoneurope.co.uk](mailto:enquiries@dixoneurope.co.uk)

**Asia Pacific:**

Dixon (Asia Pacific) Pty Ltd Wingfield,  
South Australia  
Phone: +61 8 8202 6000  
Fax: +61 8 8202 6099  
E-mail: [enquiries@dixonvalve.com.au](mailto:enquiries@dixonvalve.com.au)

**Mexico:**

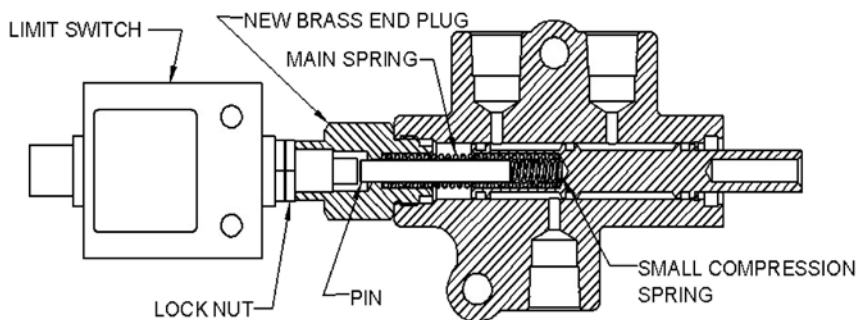
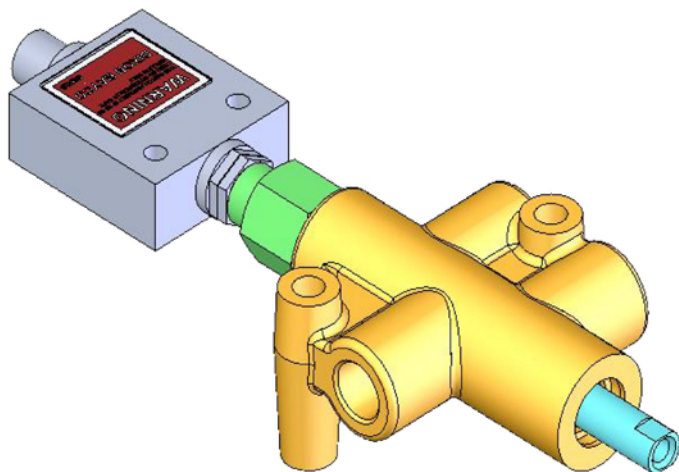
Dixva, S. de R.L. de C.V.  
Monterrey, N.L.  
Phone: 01-800-00-DIXON (34966)  
Fax: 01-81-8354-8197  
E-mail: [contactenos@dixonvalve.com.mx](mailto:contactenos@dixonvalve.com.mx)



*The Right Connection®*

[dixonvalve.com](http://dixonvalve.com)

## 5000S and 5000AIS Air Interlock Electrical Switch



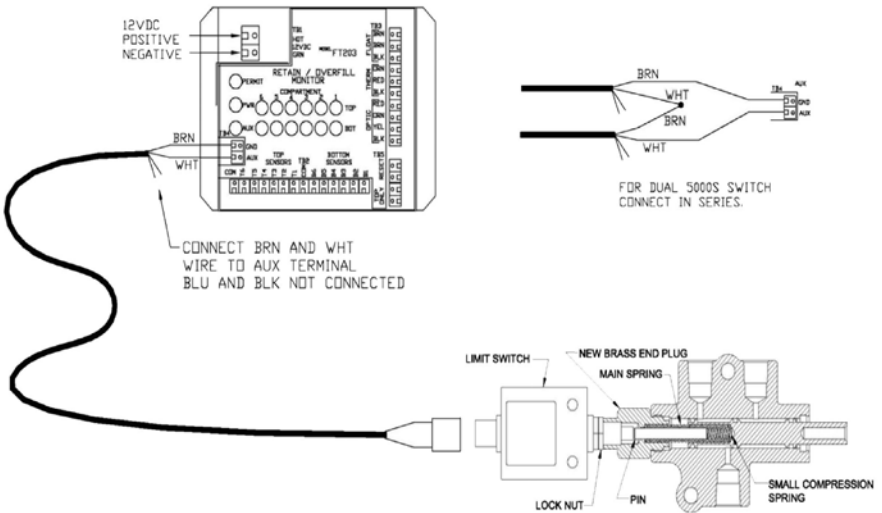
## Installation

### Tools required for installation and part replacement

- 14mm open end wrench
- 3/4" open end wrench

**! SAFETY GLASSES MUST BE WORN DURING INSTALLATION AND SERVICE.**

**! BRASS END PLUG IS RESTRAINING A COMPRESSION SPRING. ENSURE THAT YOU HAVE A FIRM GRIP ON THE BRASS END PLUG BEFORE REMOVING.**



### Assembly

1. Using the 3/4" open-end wrench, remove the brass end plug from the existing Dixon Bayco Air interlock valve. Hold the end plug firmly to prevent the spring from ejecting the plug from your hand.
2. Leave the main spring installed inside the plunger. You may discard the brass end plug.
3. Install the new brass end plug from the kit. This is accomplished by compressing the main spring while tightening the new end plug in place.
4. From the kit bag, place the small compression spring through the hole in the new brass end plug until it slides down the inside of the main spring.
5. From the kit bag, place the pin through the hole in the new brass end plug until it slides down the inside of the main spring.
6. Retrieve the limit switch from the kit bag. Insure that the two lock nuts are installed and are threaded against the body.
7. Install the limit switch into the new brass end plug as far as it will go. Do not over tighten.
8. You can back the limit switch off a maximum of ½ turn to orient the switch the way you like it.
9. Secure the switch by tightening one of the jam nuts (using the 14mm wrench) against the brass end plug.
10. Connect the wire cable to the limit switch by aligning the notch in the wire plug to the projection in the limit switch. Tighten the collar of the wire cable to secure it to the limit switch
11. Connect the brown and white wires of the cable to the AUX port of the on board monitor.
12. Cut off the blue and black wires.

### Dixon Bayco Warranty

For complete warranty information, please refer to the latest Dixon catalog.