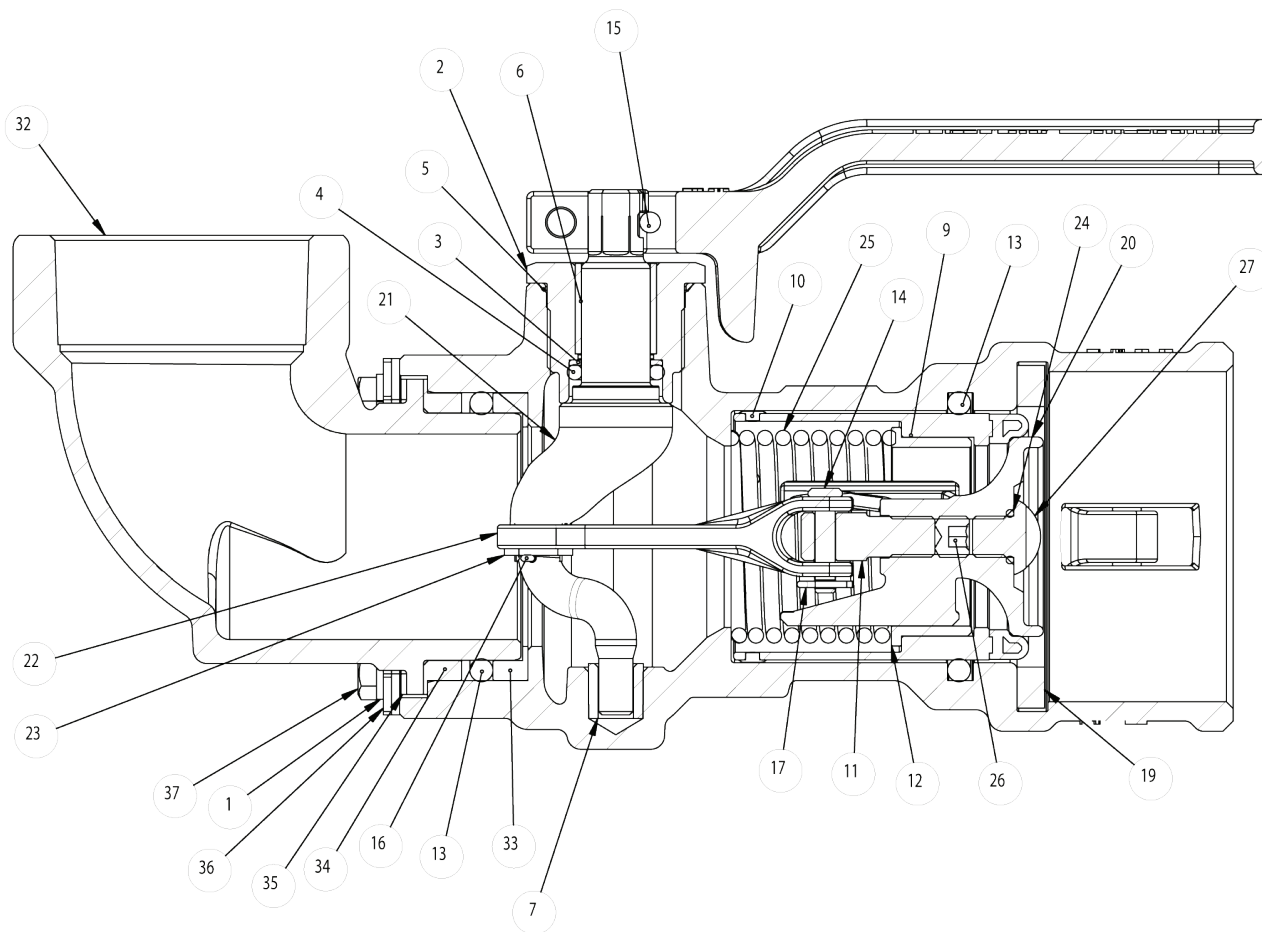
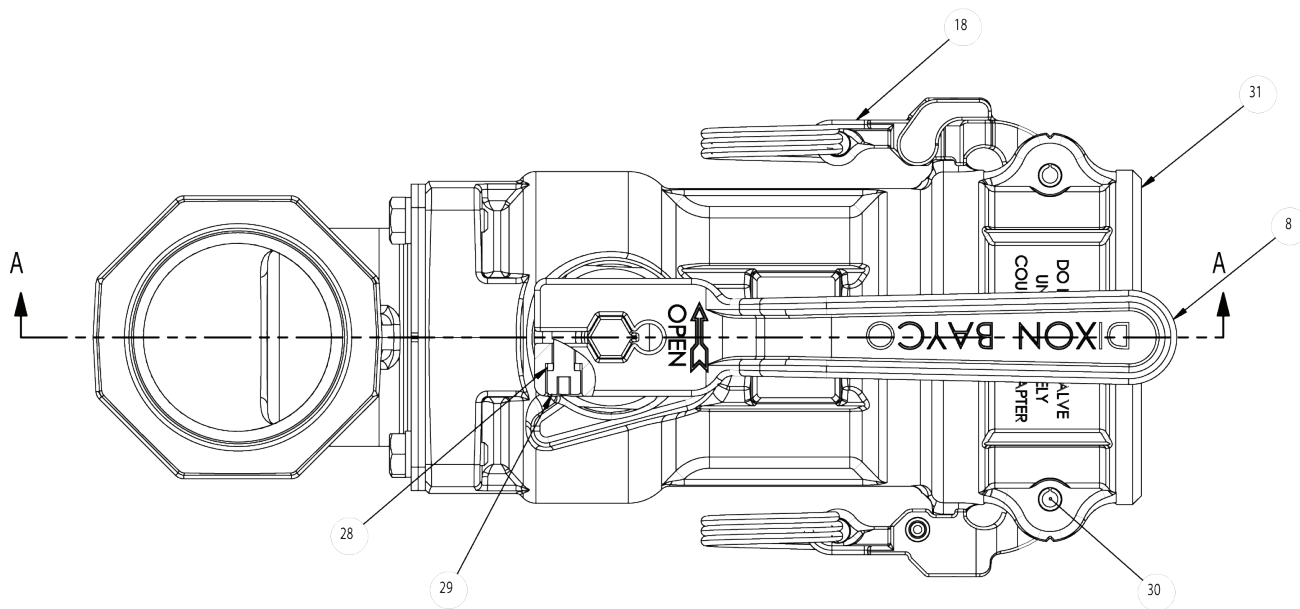


DBS 90° Swivel Cam and Groove Dry Disconnects 2" Aluminum 90° Swivel Couplers



Section A - A

Petroleum
Replacement Parts

Product instruction sheets and technical data can be viewed on our website at dixongroupcanada.com by selecting the 'Resources' menu.

DBS 90° Swivel Cam and Groove Dry Disconnects 2" Aluminum 90° Swivel Couplers

2" aluminum 90° coupler

Bill of Materials

DBS6x-200

Item #	Description	Part #	Qty
1	lock washer	10111	4
2	stuffing box	40074SS	1
3	back up ring	40075TF	1
4A	crank shaft O-ring Buna (for DBS61-200)	40076BN	1
4B	crank shaft O-ring FKM (for DBS62-200)	40076VI	1
4C	crank shaft O-ring Kalrez® (for DBS63-200)	40076KR	1
5	stuffing box PTFE O-ring	40077TF	1
6	large crank shaft bearing	40078FG	1
7	small crank shaft bearing	40079SS	1
8	lever (handle)	40080SS	1
9A	seal cylinder (for DBS61-200)	40081ALBN	1
9B	seal cylinder (for DBS62-200)	40081ALVI	1
9C	seal cylinder (for DBS63-200)	40168SS	1
10	PTFE button	40082TF	6
11	yoke	40083SS	1
12	PTFE bushing	40084TF	1
13A	body and swivel Buna O-ring (for DBS61-200)	40085BN	2
13B	body and swivel FKM O-ring (for DBS62-200)	40085VI	2
13C	body and swivel PTFE/Silicone® O-ring (for DBS63-200)	40085TS	2
14	link rivet	40086SS	1
15	groove pin	40087SS	1
16	crank shaft cotter pin	40088SS	1
17	link cotter pin	40088SS	1
18	EZ Boss lock cam arm	40089SS	2
19A	cam gasket Buna (for DBS61-200)	250-G-BU	1
19B	cam gasket FKM (for DBS62-200)	250-G-VI	1
19C	cam gasket PTFE/Silicone® (for DBS63-200)	250-G-TES	1
20	poppet	40091SS	1
21	crank shaft	40092SS	1
22	link arm	40093SS	1
23	link washer	40094SS	1
24	poppet screw PTFE O-ring	40095TF	1
25	cylinder spring	DBCxx-200RK8	1
26	set screw	40097SS	1
27	poppet screw (round head)	40098SS	1
28	lock washer	40099SS	1
29	socket head cap screw	40100SS	1
30	cam arm spring pin	40101SS	2
31	main body	---	1
32	elbow body	---	1
33	bottom bearing	40106AC	1
34	top bearing	40108AC	1
35	washer	40109AC	1
36	flange retainer	40110ST	4
37	screw	40111SS	4
not illustrated	nose seal (for DBS63-200)	40170TF	1

Repair Kits

Part #	Description	Includes Item #
DBS61-200RK1	replacement seal kit, Buna crank shaft O-ring, PTFE stuffing box O-ring, Buna and Swivel body O-rings, Buna cam gasket, PTFE O-ring (for DBS61-200)	4A, 5, 13A, 19A, 24
DBS62-200RK1	replacement seal kit, FKM crank shaft O-ring, PTFE stuffing box O-ring, FKM body and swivel O-rings, FKM cam gasket, PTFE O-ring (for DBS62-200)	4B, 5, 13B, 19B, 24
DBS63-200RK1	replacement seal kit, Kamrez® crank shaft O-ring, PTFE stuffing box O-ring, PTFE/Silicone® body and swivel O-rings, PTFE/Silicone® cam gasket, PTFE O-ring (for DBS63-200)	4C, 5, 13C, 19C, 24
DBS61-200RK4	swivel rebuild kit, Buna body O-ring, top and bottom bearings, washer, flange retainers and screws (for DBS61-200)	13A, 33, 34, 35, 36, 37
DBS62-200RK4	swivel rebuild kit, FKM body O-ring, top and bottom bearings, washer, flange retainers and screws (for DBS62-200)	13B, 33, 34, 35, 36, 37
DBS63-200RK4	swivel rebuild kit, PTFE/Silicone® body O-ring, top and bottom bearings, washer, flange retainers and screws (for DBS63-200)	13C, 33, 34, 35, 36, 37
DBS61-200RK10	replacement swivel seal kit, Buna body O-ring, top and bottom bearings (for DBS61-200)	13A, 33, 34
DBS62-200RK10	replacement swivel seal kit, FKM body O-ring, top and bottom bearings (for DBS62-200)	13B, 33, 34
DBS63-200RK10	replacement swivel seal kit, PTFE/Silicone® body O-ring, top and bottom bearings (for DBS63-200)	13C, 33, 34
DBC61-200RK2	replacement Buna seal cylinder, PTFE buttons and PTFE bushing (for DBS61-200)	9A, 10, 12
DBC62-200RK2	replacement FKM seal cylinder PTFE buttons and PTFE bushing (for DBS62-200)	9B, 10, 12
DBCx3-200RK2	replacement PTFE nose seal, PTFE buttons and PTFE bushing (for DBS63-200)	10, 12, + items not illustrated
DBCxx-200RK4	replacement link kit, link rivet, cotter pins, link washer, link arm and yoke (for all 2")	11, 14, 16, 17, 22, 23
DBCxx-200RK5	replacement stuffing box kit, stuffing box, PTFE O-ring and large crank shaft bearing (for all 2")	2, 5, 6
DBCxx-200RK6	replacement lever (handle) kit, lever, groove pin, lock washer and socket head cap screw (for all 2")	8, 15, 28, 29
DBCxx-200RK7	replacement crank shaft kit, crank shaft, cotter pin and washer (for all 2")	16, 21, 23
DBCxx-200RK8	main cylinder spring (for all 2")	25
DBCxx-200RK9	replacement poppet kit, poppet, round head screw, set screw & PTFE O-ring (for all 2")	20, 24, 26, 27
DBCL-200	optional add on padlockable lever kit, (handle) (for all 2")	not illustrated

Replacement Parts
Petroleum

Product instruction sheets and technical data can be viewed on our website at dixongroupcanada.com by selecting the 'Resources' menu.